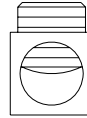




**Wire Approvals:**  
**Wire Range:**



Wire Size	Torque	Copper Wire Stranding Classes - Number of Strands		
		Solid	Class B	Class C
2/0 AWG	120 in. lbs		19	37
1/0	120 in. lbs		19	37
1	120 in. lbs		19	37
2	120 in. lbs		7	19
4	120 in. lbs		7	19
6	120 in. lbs		7	19

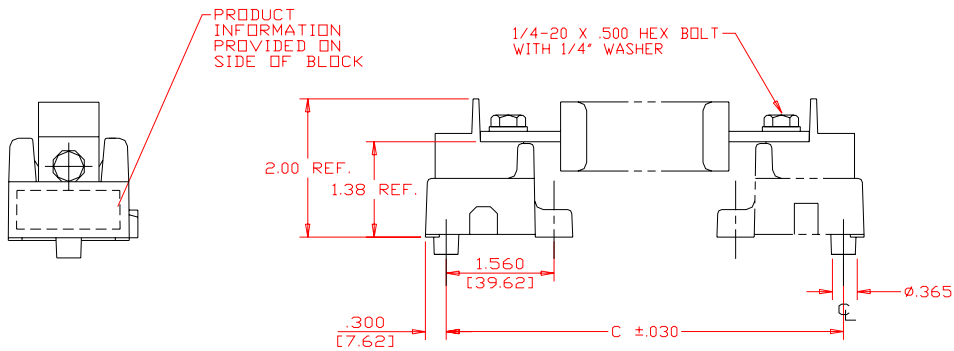
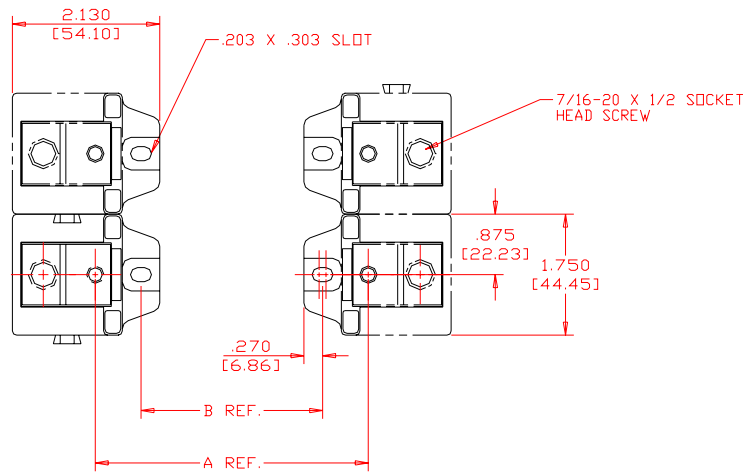
Aluminum stranded wire range: #2/0 – #6 AWG

- Recommended fuse torque (on bolt): 70 in. lbs.
- Wire strip length: 3/4"
- Hex key required: 3/16"
- Panel mountable: #10 fastener, torque to 25-30 in. lbs

Mounting Dimensions

FUSE	A REF.	B REF.	C ±.03
FBP 35-60	2.83	1.50	4.62
FBP 70-100	2.86	1.53	4.65
L15S 61-450*	1.99	0.66	3.79
L50S 31-60	2.45	1.12	4.25
L50S 61-100	2.89	1.56	4.68
L70S 31-60	3.64	2.31	5.43
L70S 61-100	3.64	2.31	5.43
L25S 31-60	2.45	1.12	4.24
L25S 61-200*	2.38	1.05	4.17
JLLS 70-100	2.36	1.03	4.16
KLC 1-30	2.50	1.17	4.30
KLC 31-60	3.63	2.30	5.42
KLC 61-100	4.17	2.84	5.96
L60S 31-60	3.66	2.33	5.45
L60S 61-100	3.66	2.33	5.45

\* CURRENT RATING FOR 1MS101 IS 100 AMPS.



[WWW.MARATHONSP.COM](http://WWW.MARATHONSP.COM)  
1-419-352-8441

PDS 0190 REV B 5/18/09